





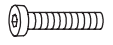


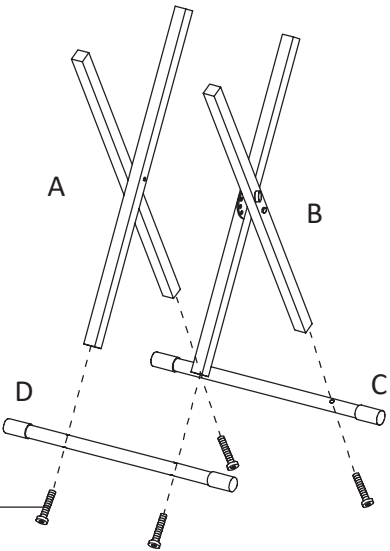
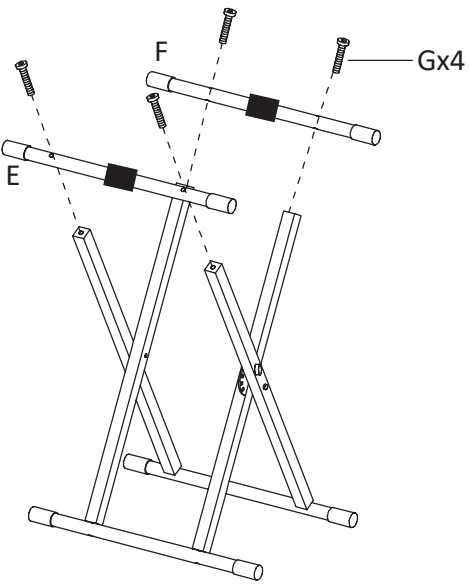
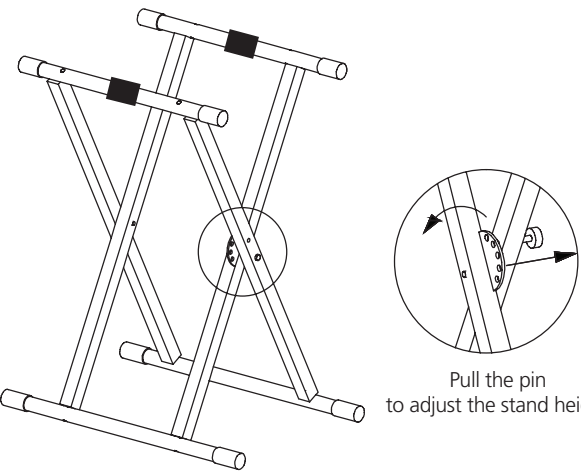
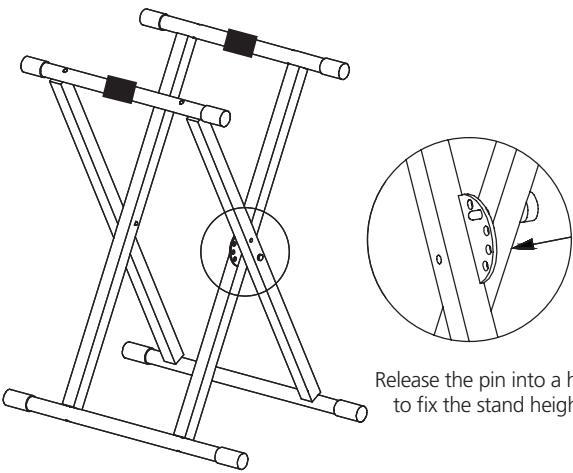


MANUAL

<p>Ax1</p>  <p>OUTER TUBE INNER TUBE</p>	<p>Bx1</p>  <p>INNER TUBE OUTER TUBE</p>	<p>Cx1</p>  <p>FOR OUTER TUBES</p>	<p>Dx1</p>  <p>FOR INNER TUBES</p>	<p>Ex1</p>  <p>FOR OUTER TUBES</p>	<p>Fx1</p>  <p>FOR INNER TUBES</p>	<p>Gx8</p> 	 <p>x1</p>	
<p>1</p>  <p>A B C D Gx4</p>		<p>2</p>  <p>E F Gx4</p>						
<p>3</p>  <p>Pull the pin to adjust the stand height</p>		<p>4</p>  <p>Release the pin into a hole to fix the stand height</p>						