

# Alto Stand Trolley

A sturdy and strong storage cart, to make moving and storing Alto Stands simple. The Alto Stand Trolley can hold up to 16 stands and has been consciously designed to be able to fit through a standard single door.



**RAT**stands  
TEMPO RANGE

# Product Features



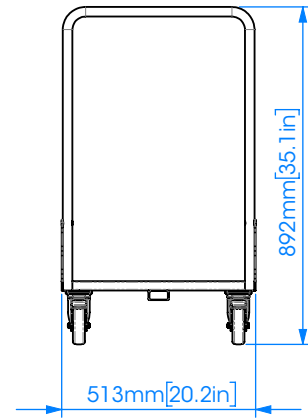
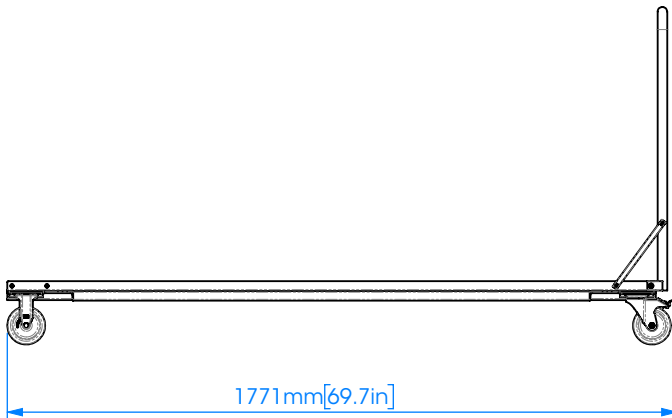
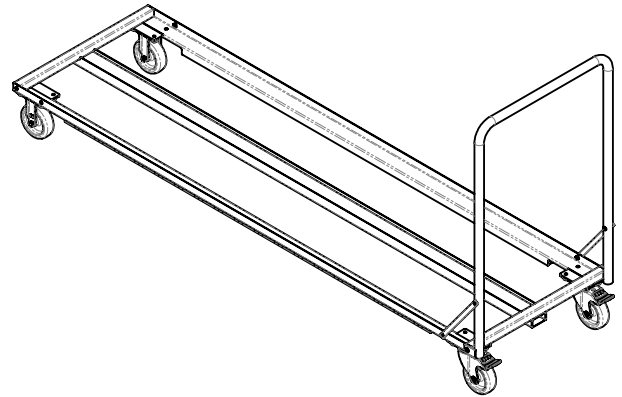
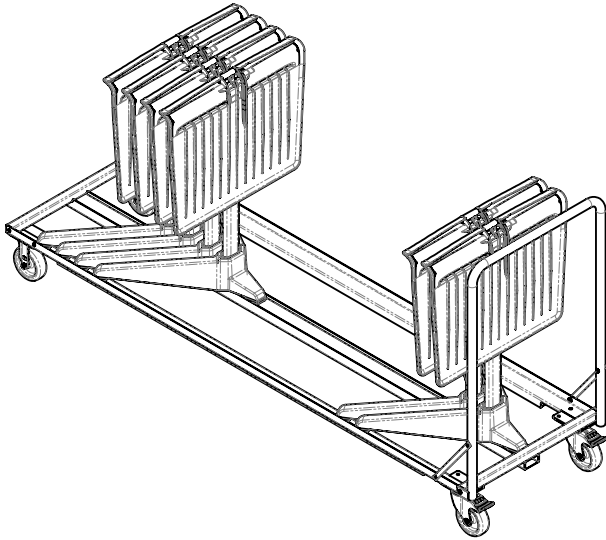
The Alto Stand Trolley can hold up to 16 music stands, nested in a compact line, to make set ups and take downs easy.



The Alto Trolley has 2 fixed and 2 swivel castors, for maximum manoeuvrability. The castors are lockable for stability.



The Alto Stand Trolley is coated in a tough scratch resistant epoxy, to prevent cosmetic damage. It is sturdy, robust, and easy to use. The trolley is lightweight making it easy to transport, and ideal for a fast and effective performance or rehearsal set up.



# Detailed Specification

## Specifier's description

A long storage cart with a slim frame, specifically for the RATstands Alto Stand, can hold up to 16 stands.  
A rectangular platform with 2 fixed and 2 swivel castors.

Steel frame and handle, a steel frame coated in polyester powder coat.

Construction	
Structual parts	Steel
Wheels	Grey synthetic tyre
Platform	Steel frame
Coating	Polyester powder coat

Dimensions	
Width	513mm [20.2in]
Height	892mm [35.1in]
Length	1771mm [69.7in]
Maximum stand capacity	18 Stands
Weight	16.3kg [35.9lbs]

General	
Warranty	5 years
Part number	88Q04.