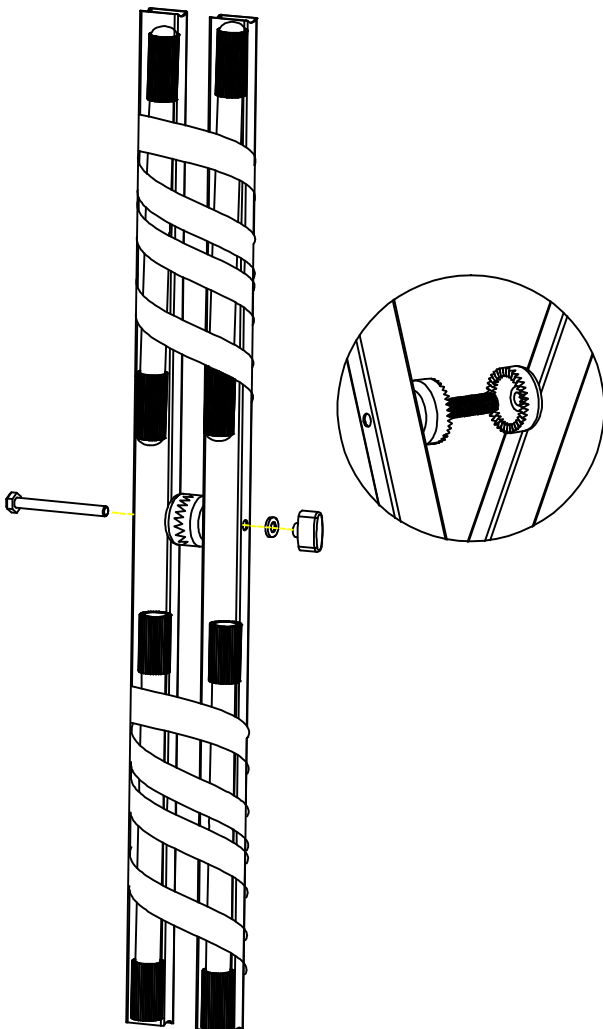


THANKS FOR CHOSING THIS KEYBOARD STAND

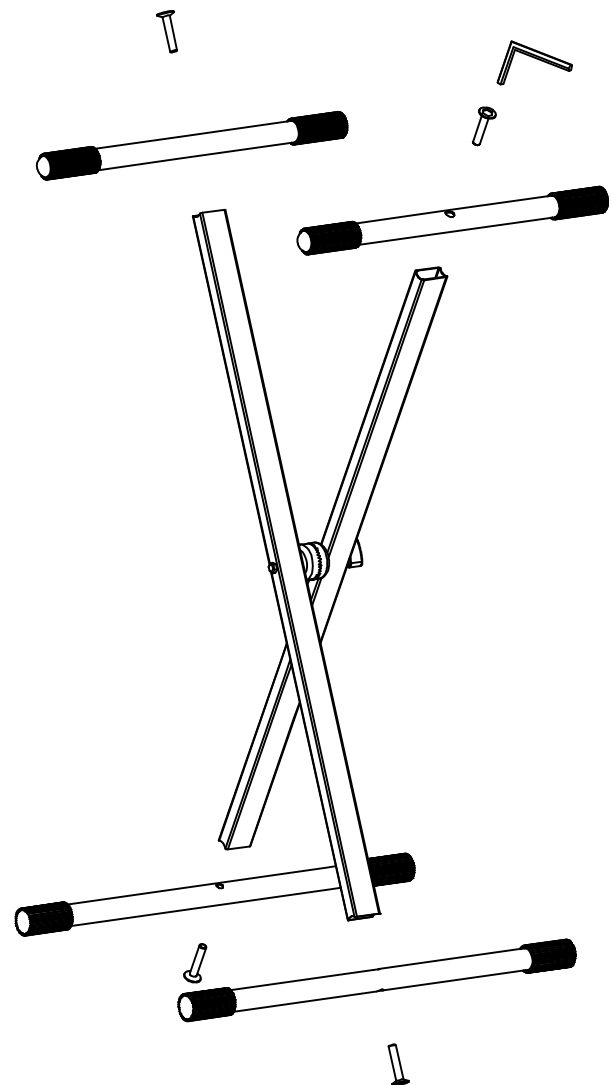
IN ORDER TO MAKE PROPER INSTALLATION,PLEASE READ THIS MANUAL AND INSTALL AS PER FOLLOWING STEPS:

1.OPEN THE BOX AND YOU WILL FIND THE STAND PARTS ARE WRAPPED BY SHRINK PVC TAPE

2.BEFORE YOU TAKE AWAY THE SHRINK PVC TAPE,PLEASE INSERT THE BOLT INTO THE CENTER OF SQUARE TUBES AND TIGHTEN KNOB



3.TAKE AWAY THE SHRINK PVC TAPE AND INSTALL THE TOP AND BOTTOM BARS AS BELLOW



4.TIGHTEN ALL THE SCREWS AND BOLTS TO MAKE SURE THE STAND IS SOLID ENOUGH

5.AFTER YOU ADJUST THE WIDTH AND HEIGHT OF THE STAND,PLEASE TIGHTEN THE KNOB IN ORDER TO MAKE THE TEETH LOCK STRONGLY

6.THEN YOU CAN PLACE THE KEYBOARD ON THE STAND AND START TO PLAY