

Apollo LED Clip Light

The Apollo Clip LED Light showcases the meaning behind the RATstands Tempo Range. Professional quality products that can be used by musicians of any level and ability. This cost-effective music stand lamp, allows musicians to achieve the perfect level of lighting for their performances.



RATstands
TEMPO RANGE



A strip of 18 high quality LED's, with a colour temperature of 3000K, provides light which is relaxing for the musician.



Very slim housing ensures that the lamp does not obstruct the musicians' view of the conductor.



The Apollo Light has a powerful spring clip, which can be fitted to almost any make of music stand. The steel construction enables the clip to be very slender on the music side of the tray, preventing it from interfering with the score.



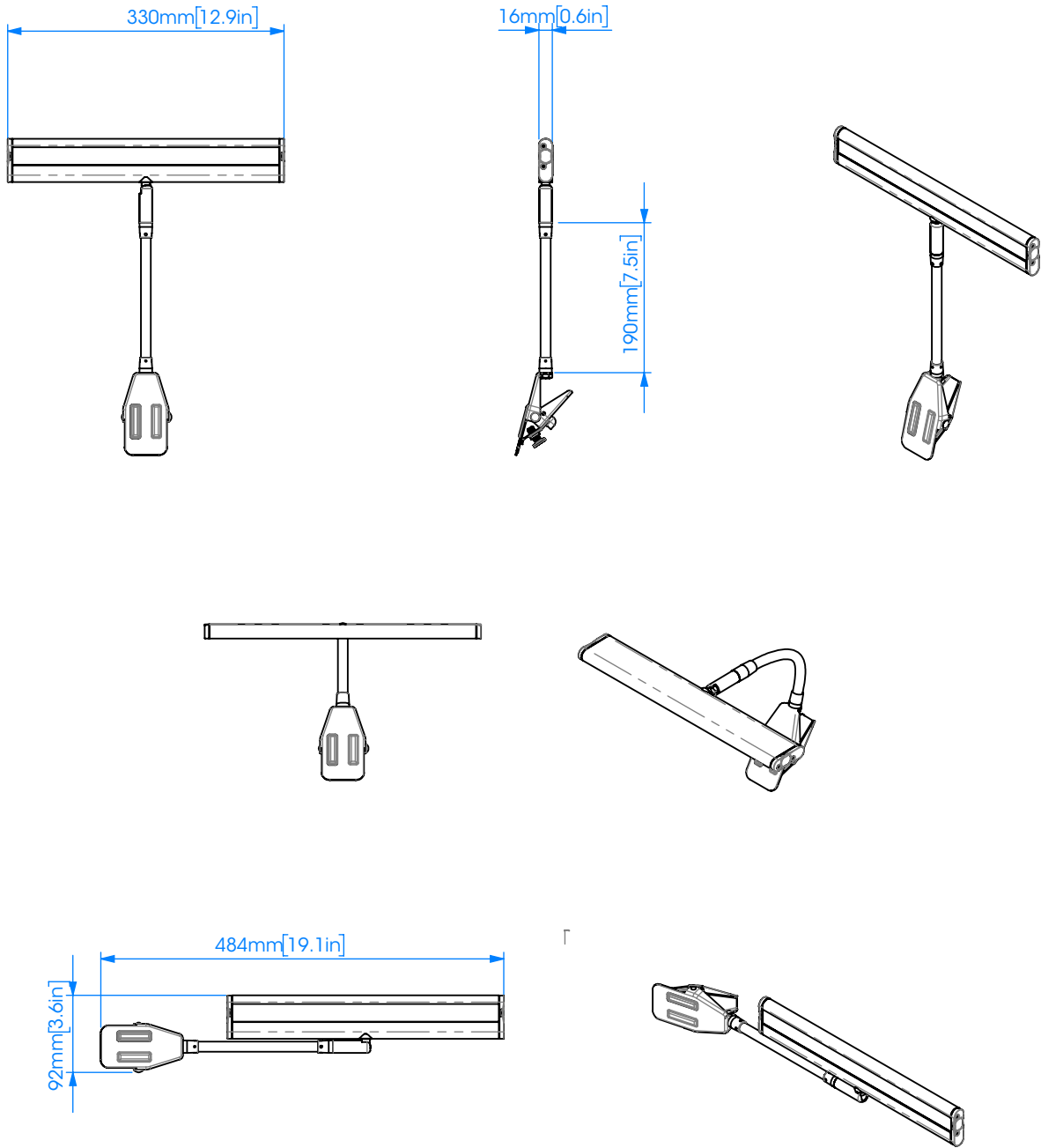
The plug top PSU enables a single Apollo light to be powered from the mains at full brightness. It comes with interchangeable mains pins for USA, UK, Europe and Australia. It is included when the light is purchased with the carry case, and is also available separately.



The DMX PSU enables up to 24 Apollo lights to be powered from the mains and dimmed under DMX control. Lights are connected to the PSU by 3 bud chains, each connecting 8 lights. Each bud chain can be dimmed independently. The bud chain plugs have a twist lock which prevents accidental disconnection.



A carry case (supplied when purchased individually with the plug top PSU), provides safe and easy transportation, or storage, for the Apollo Light.



Specifier's description

Universal music stand light with powerful spring clip. Slim aluminium housing, 16mm thick, containing eighteen LEDs with a colour temperature of 3000K. PSU to power 24 lights in 3 separate zones controlled by DMX. Power leads with twist locks to prevent accidental disconnection.

Construction	
Structural parts	Steel
Lamp housing	Aluminium

Dimensions	
Profile of lamp as seen by user: thickness	16mm [0.6in]
Profile of lamp as seen by user: width	330mm [13in]
Rotation of lamp housing	As permitted by the gooseneck
Cable length (from clip, fully stretched)	2m [6.6ft]
Weight	0.6kg [1.3lbs]

Optical characteristics	
Colour temperature	3000K
CRI	80min
Life of LEDs to 70% of initial output (L70)	50,000 hrs
Light intensity at mid-point of an A4 score	1100 lux
Luminous flux from LEDs	375 lm

Electrical characteristics	
SELV (Safety extra low voltage)	YES
Operating voltage	24V
Electrical power consumption	4.3W
Circuit luminous efficacy	70 lm/W

Physical characteristics	
Cable type	Straight cable with PVC outer sheath
Electrical connector type	DC Plug

General	
Warranty	2 years
Part number	73Q06
Applicable standards	EN55015, EN55035, EN60529, EN60598
IP rating	IP50
Markings	CE