

Jazz Music Stand

A professional quality music stand with industry standard stability, and a full size music tray. The Jazz Stand's unique design allows the stand to unfold in three steps, from a flat pack no bigger than the size of the tray. It does this with no knobs, no finger traps, and no hassle, making this the ultimate travelling stand for both individual musicians, touring groups, and orchestras.



Product Features



The injection moulded tray is virtually unbreakable and if bent, it will spring back. The Jazz tray is made of a polymer which does not 'ring' if it is knocked, preventing any unwanted noise. It has smoothly rounded edges all over, making it safe to handle and kind to instruments.



The Jazz Stand tray has an additional shelf for pencils and small instruments.



The anodised aluminium stem is very strong and rigid, ensuring that the stand will not sway. Friction locks will automatically hold the tray at the desired height and angle, without the requirement of adjusting any thumb screws or levers.



Die cast aluminium legs with a tough scratch-resistant epoxy coating, give the Jazz Stand enormous strength whilst maintaining a low weight. Rubber feet preserve the floor and prevent clatter if the stand is knocked.

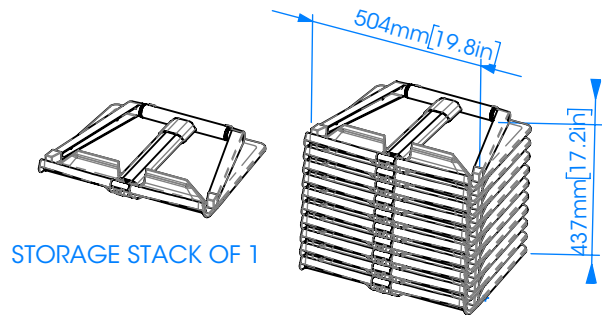
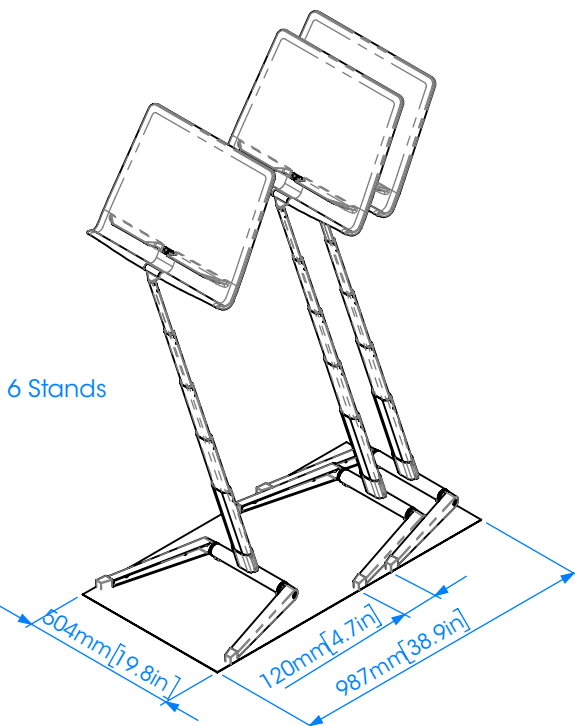
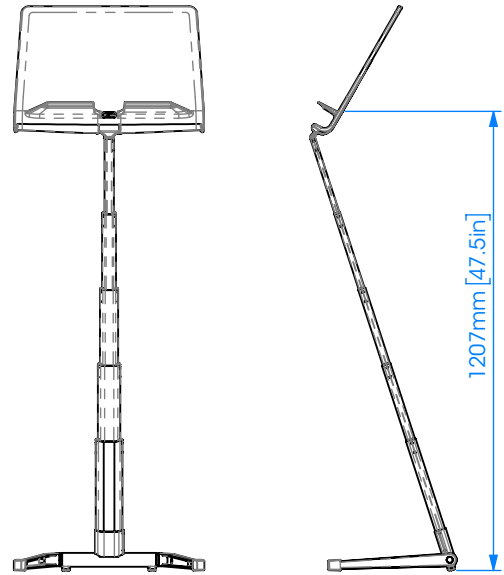
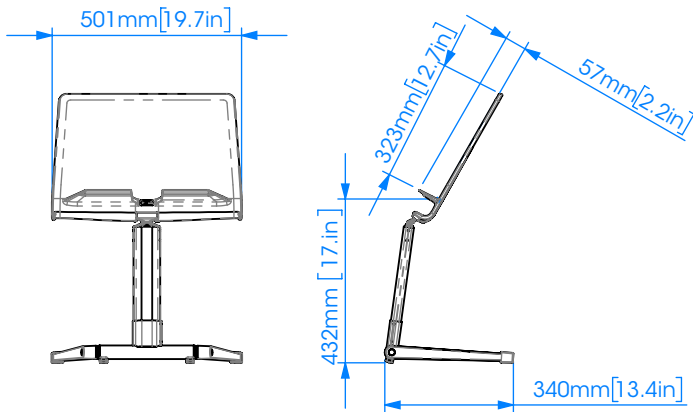


The telescopic stem gives the Jazz Stand a full height range, which allows the stand to be set high enough for a trumpeter, and low enough for the youngest cellist.

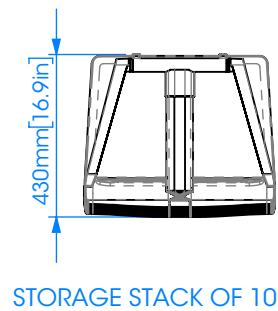


When folded, the Jazz Stands interlock to form an orderly pile, ideal for compact storage. RATstands offer a range of trolleys, flight cases, and carry cases to transport the stands between rehearsals and shows. (Please see separate data sheets).

FOR MUSICIANS' STANDS



STORAGE STACK OF 10



Detailed Specification

Specifier's description

Folding music stand with solid tray. Stands can be folded flat to the size of the tray, without the need to dismantle, or adjusting any screws or levers. Folded stands interlock to form a compact stack. Telescopic stem made from anodised aluminium. Base comprises of die cast aluminium legs with an epoxy coating, and rubber feet. Lever free locks for stand height and tray angle. Polypropylene tray which does not ring when knocked. An additional lip for pencils and small instruments as standard.

Construction	
Structural parts	Aluminium
Feet	Rubber
Tray	Polypropylene
Coating	Anodised Aluminium and polyester powder coating

Dimensions	
Tray width	501mm [19.7in]
Tray height (score area only)	323mm [12.7in]
Depth of tray lip	57mm [2.2in]
Maximum weight tray can hold	2.5kg [5.5lbs]
Lowest height to bottom of score	432mm [17in]
Tallest height to bottom of score	1207mm [47.5in]
Nesting pitch	120mm [4.7in]
Floor area occupied by 20 nested stands	2619 x 500mm [103.1 x 19.7in]
Volume of folded stand (L x W x H)	430 x 504 x 69mm [16.9 x 19.8 x 2.7in]
Volume occupied by 10 folded stands stacked (L x W x H)	430 x 504 x 437mm [16.9 x 19.8 x 17.2in]
Stacking pitch	42mm [1.7in]
Weight of stand	2.77kg [6.1lbs]

General	
Warranty	5 years
Part number	69Q13.