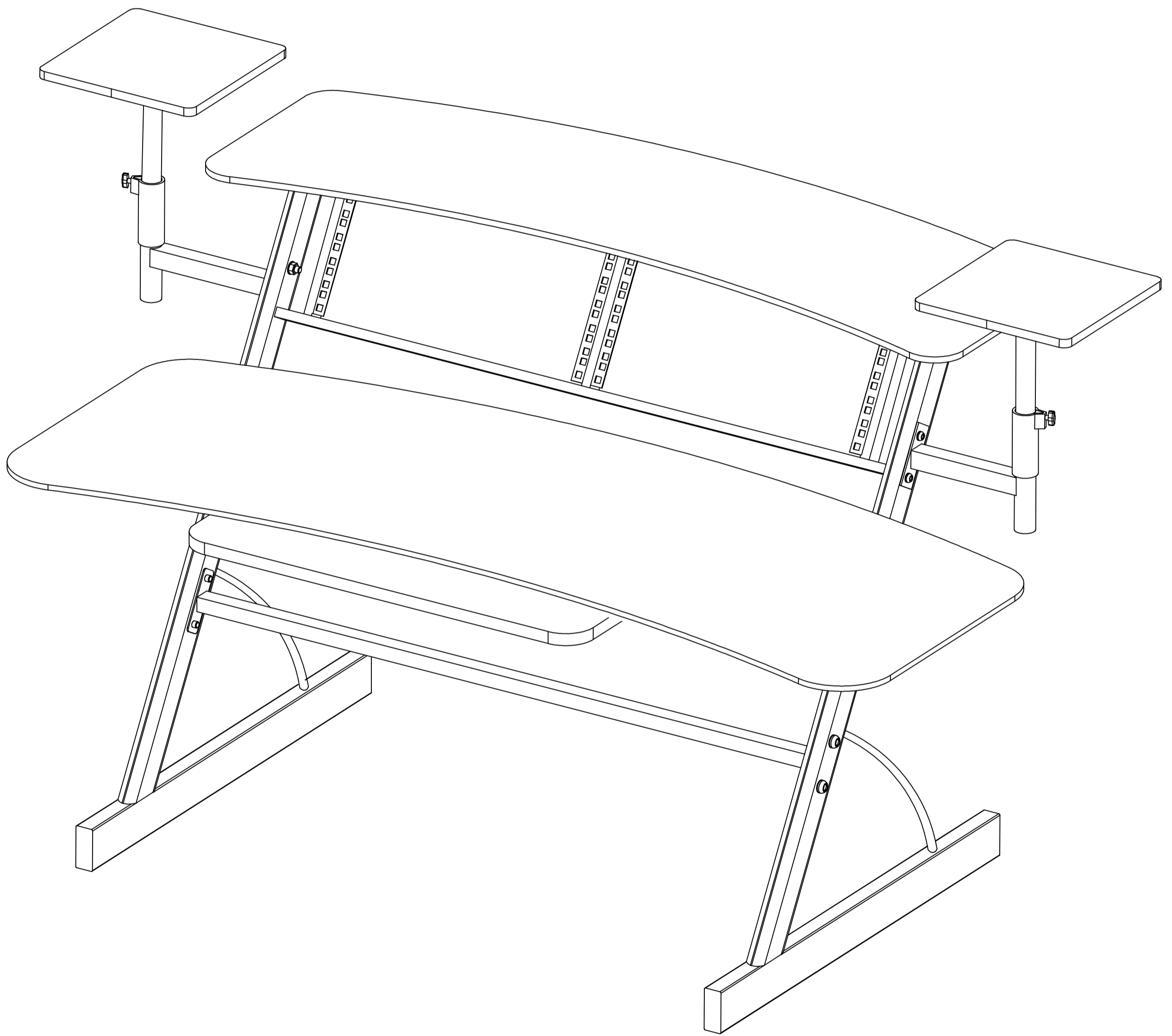


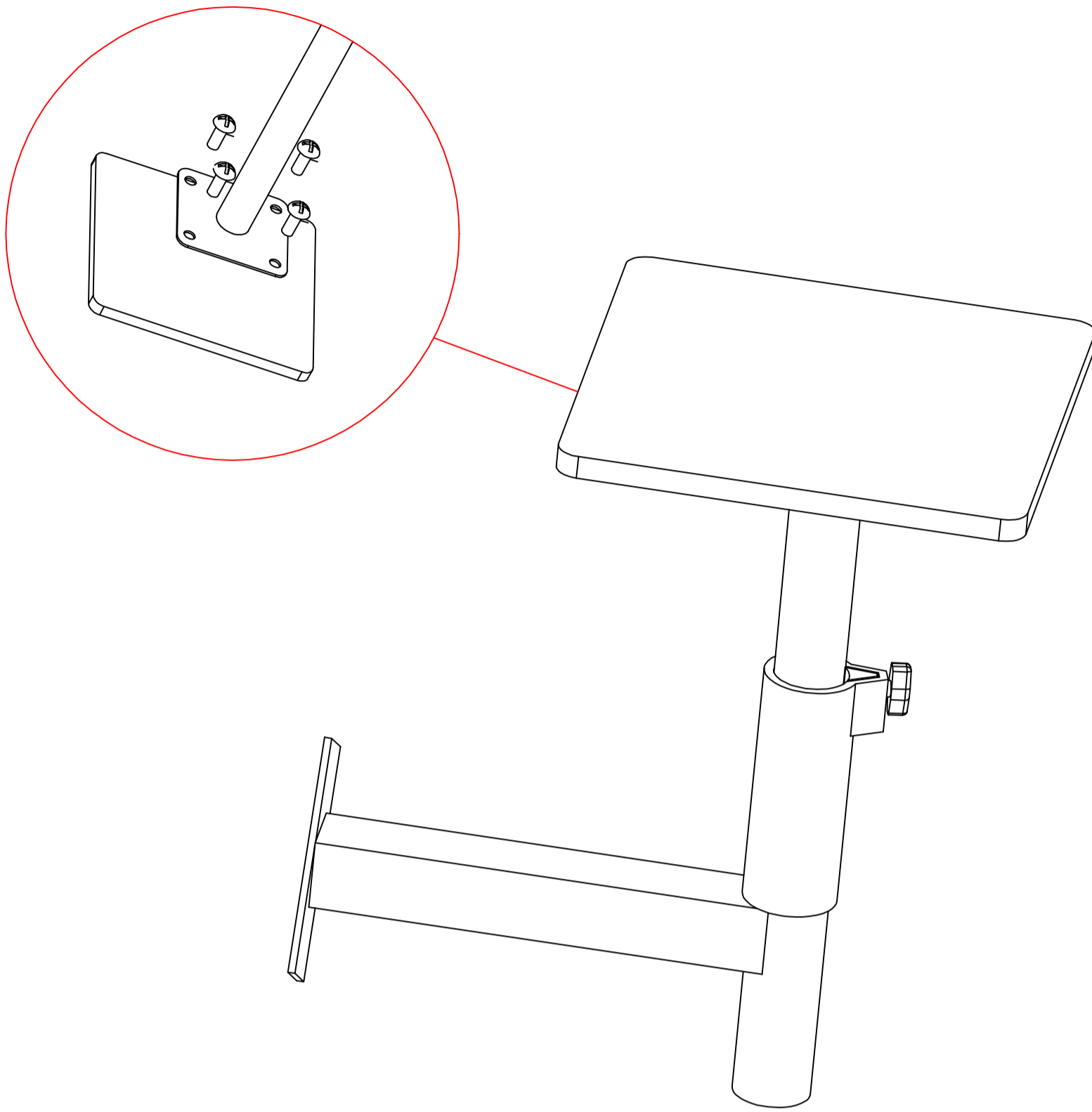
Assembling Manual



DELUXE STUDIO WORKSTATION

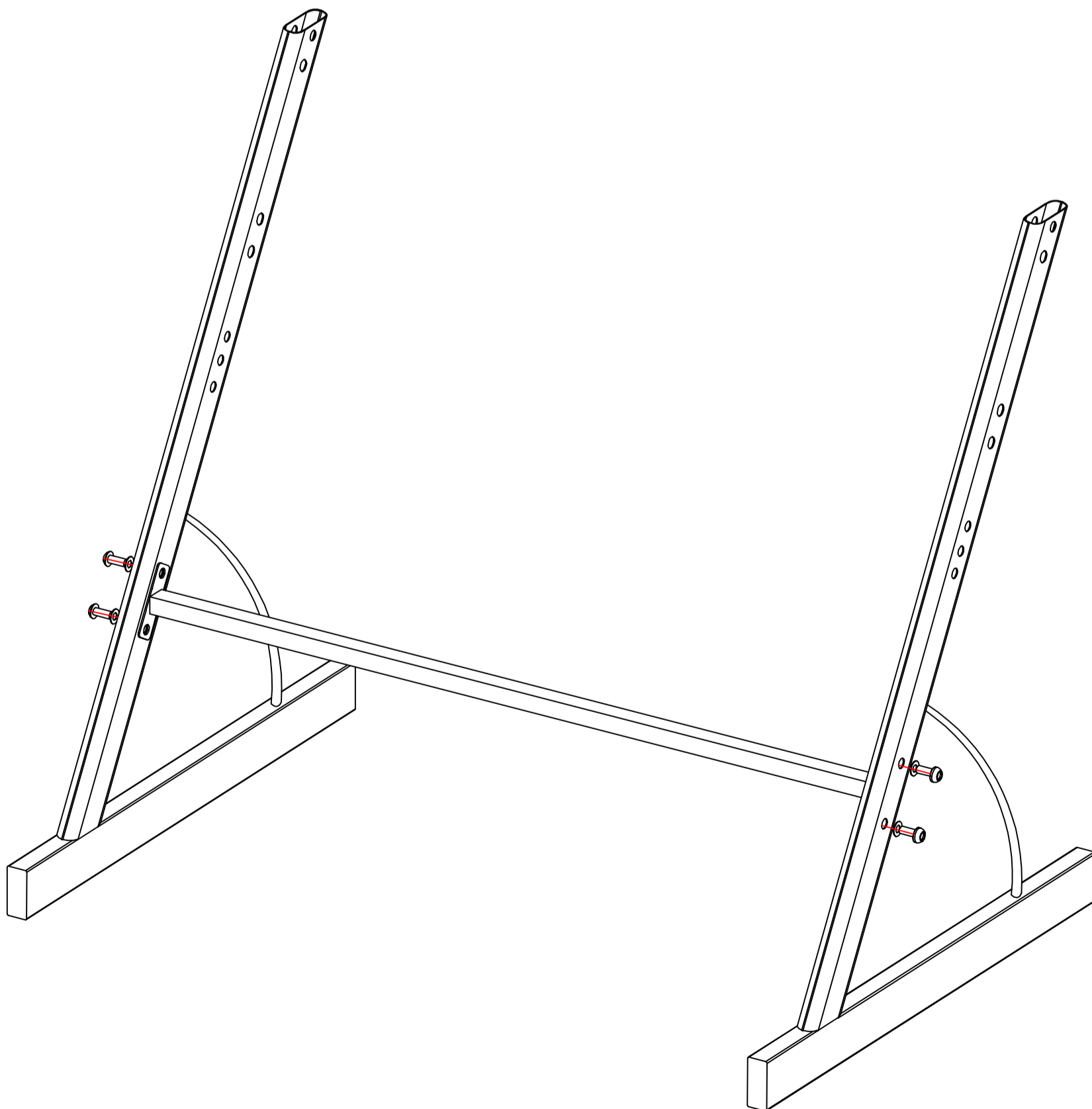
Step 1 of 10

Assemble monitor support wings as shown in illustrations.



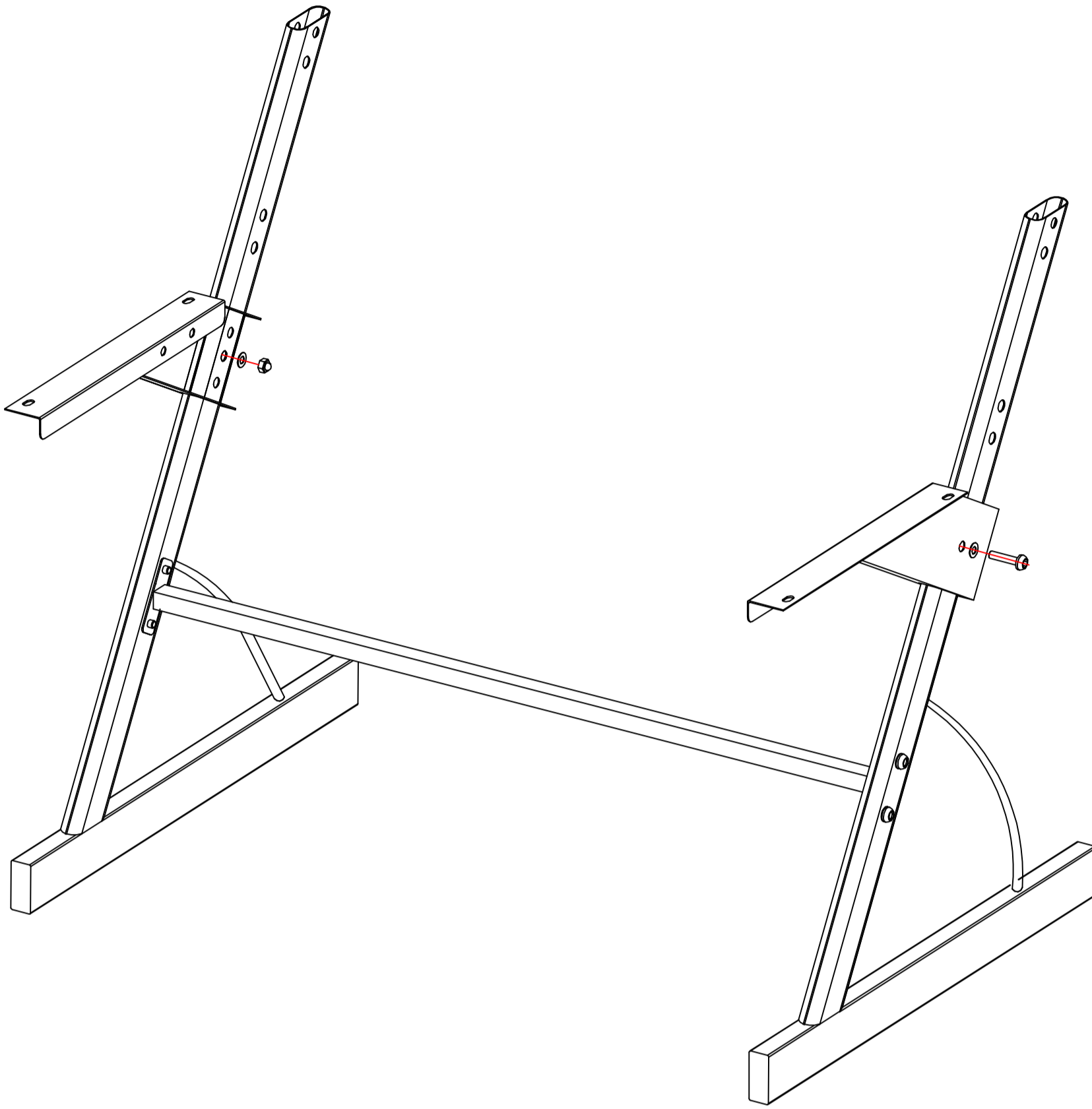
Step 2 of 10

Connect two main feet with the cross bar (Need use the washer and allen key)



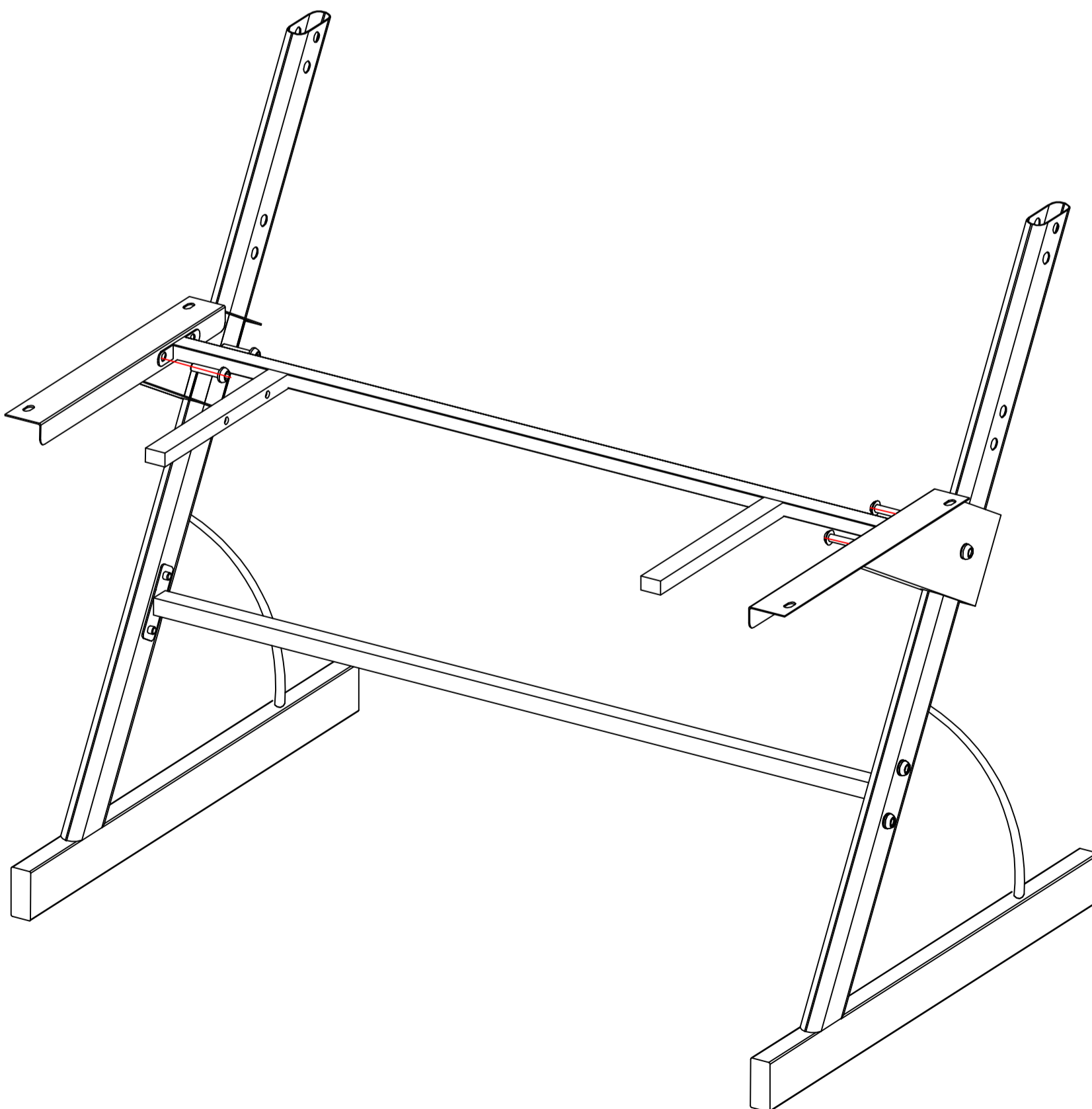
Step 3 of 10

Put two main desk brackets on two feet, choose the height you need and tighten the screws.



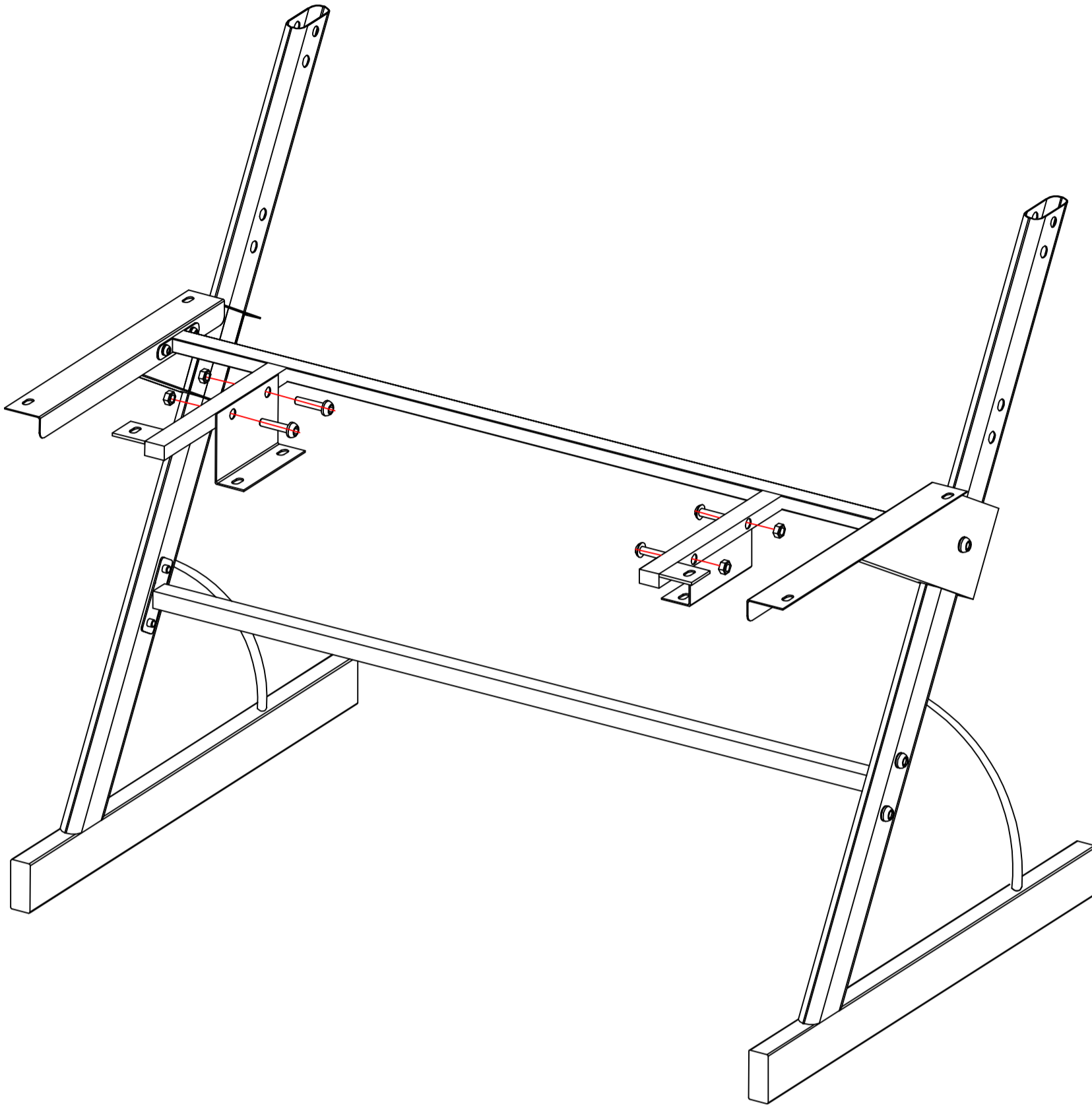
Step 4 of 10

Connect the main shelf cross bracket as the following picture and tighten the screws.



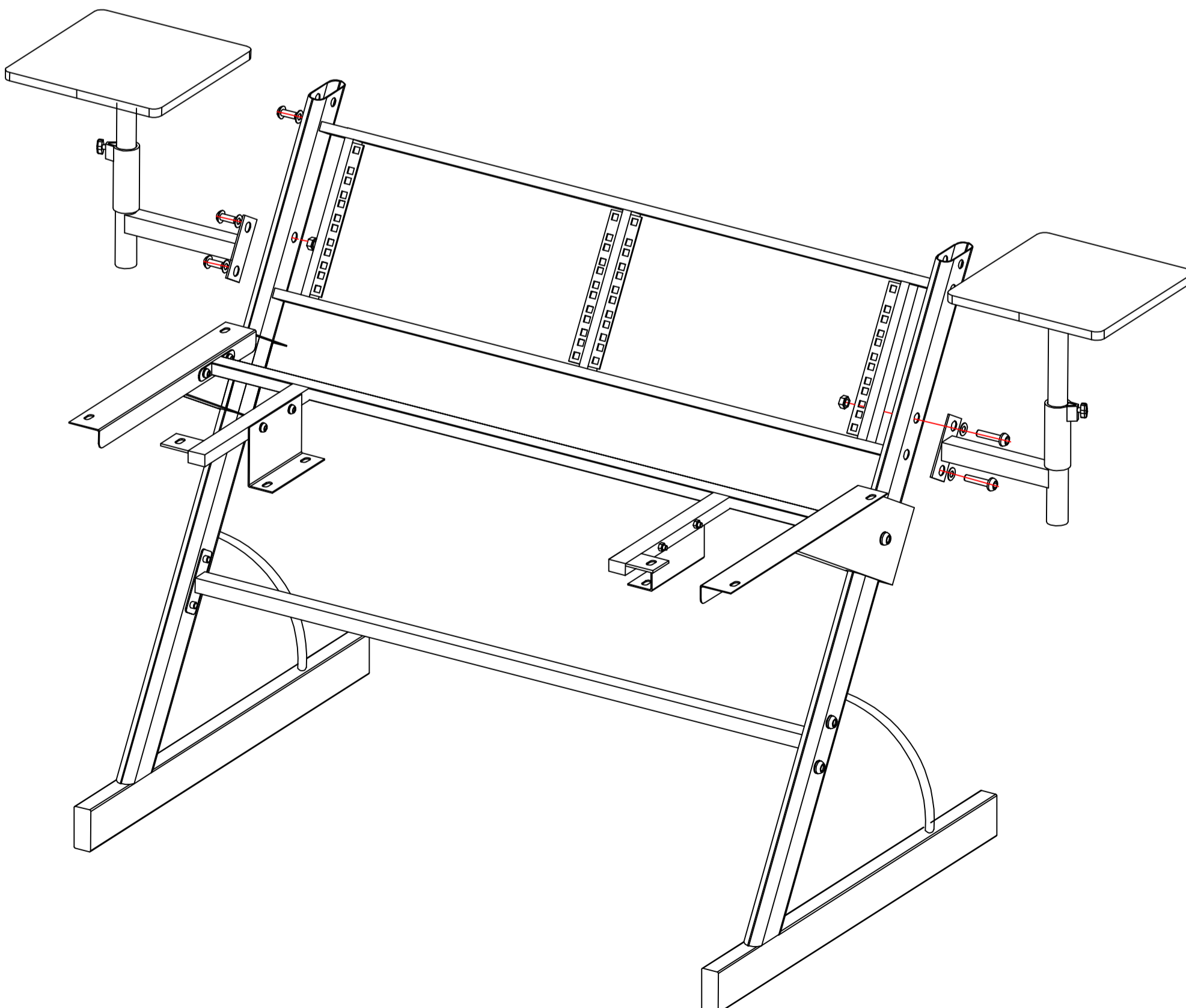
Step 5 of 10

Put two keyboard shelf brackets on and tighten the screws as the picture.



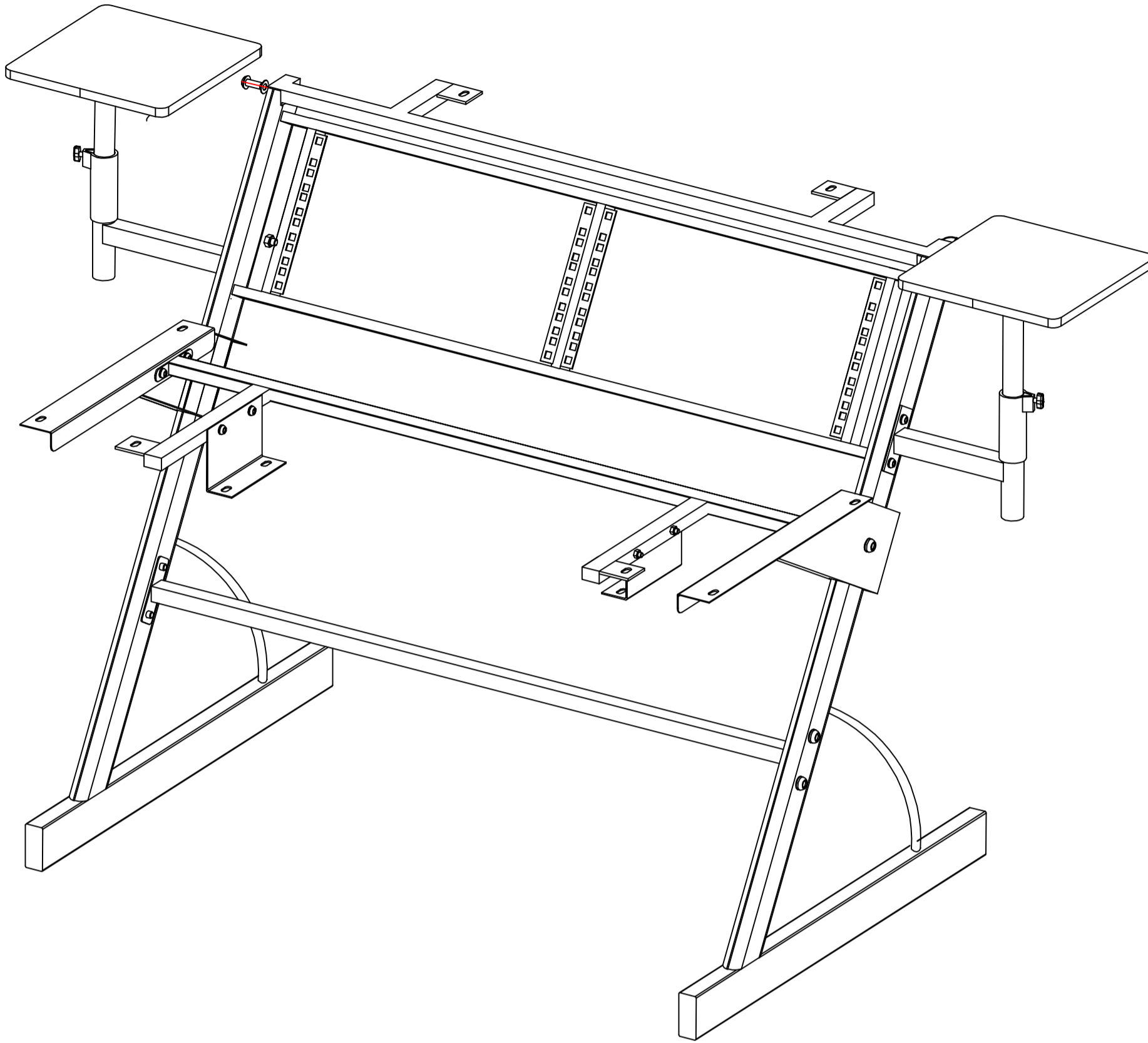
Step 6 of 10

Put two monitor brackets on two sides of the main feet as the following picture. Also connect the equipment rack between two main feet and tighten the screws.



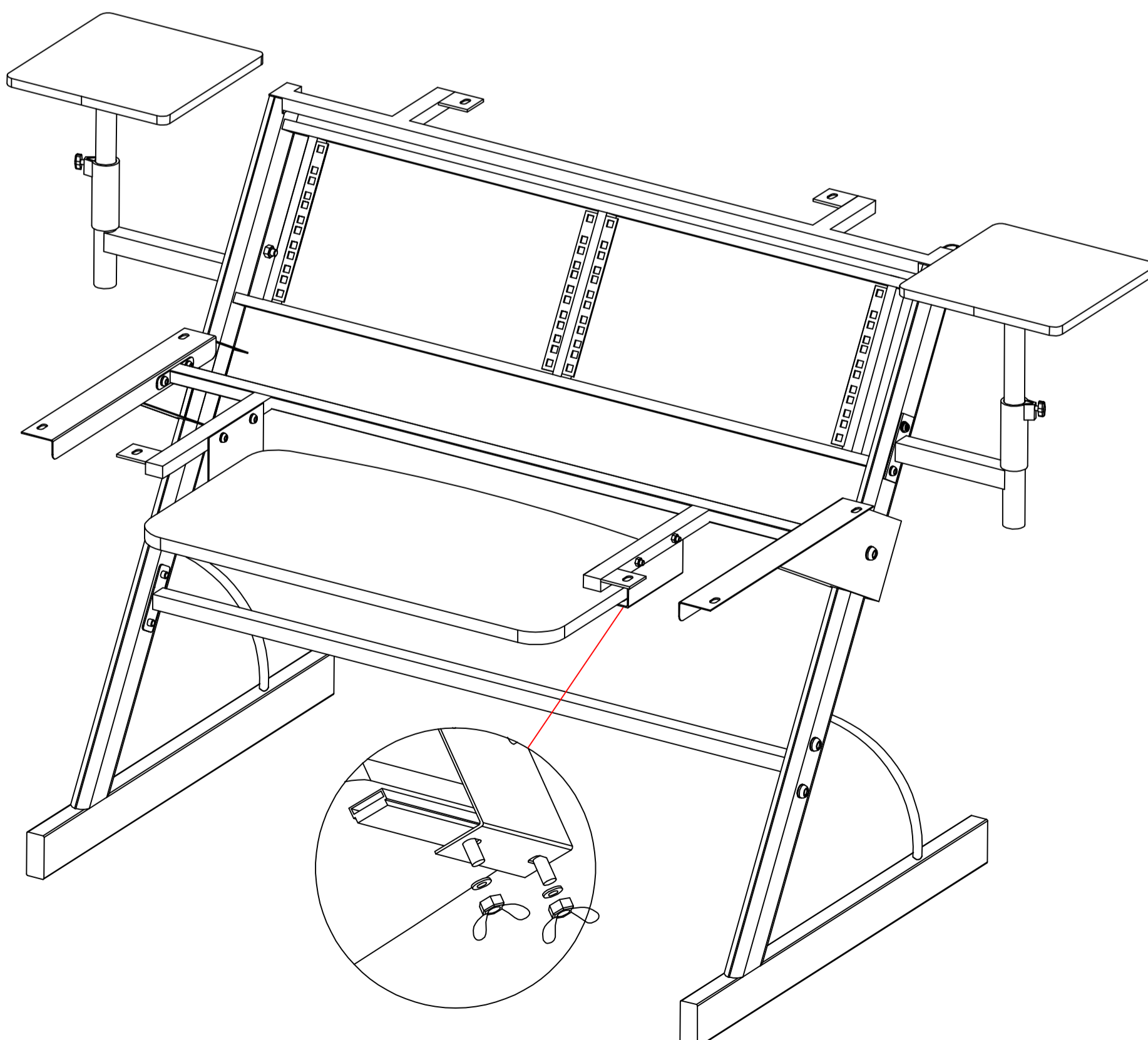
Step 7 of 10

Connect the top shelf bracket on the stand as the following picture.



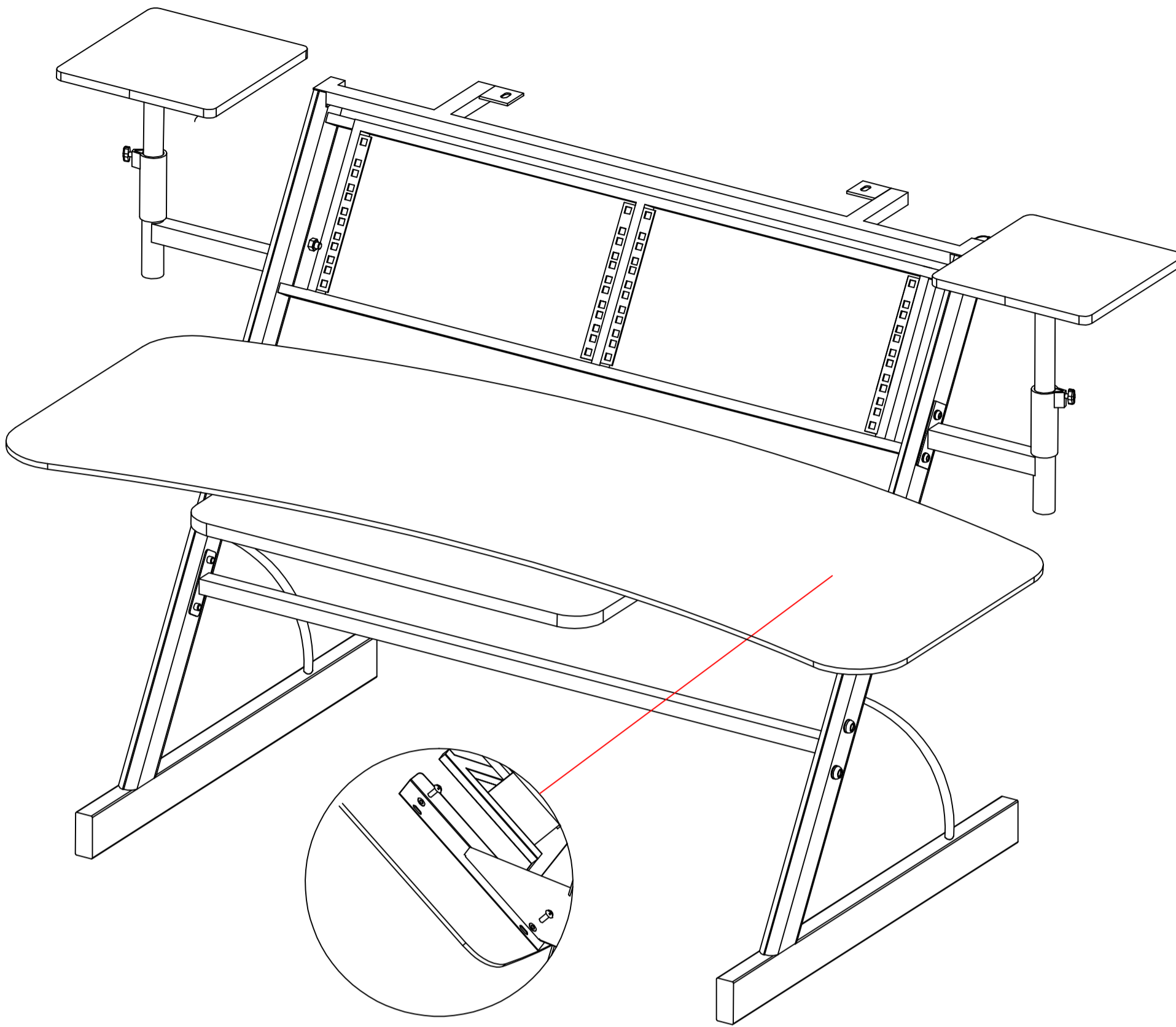
Step 8 of 10

Mount the keyboard shelf on the keyboard shelf brackets and tighten the screws.



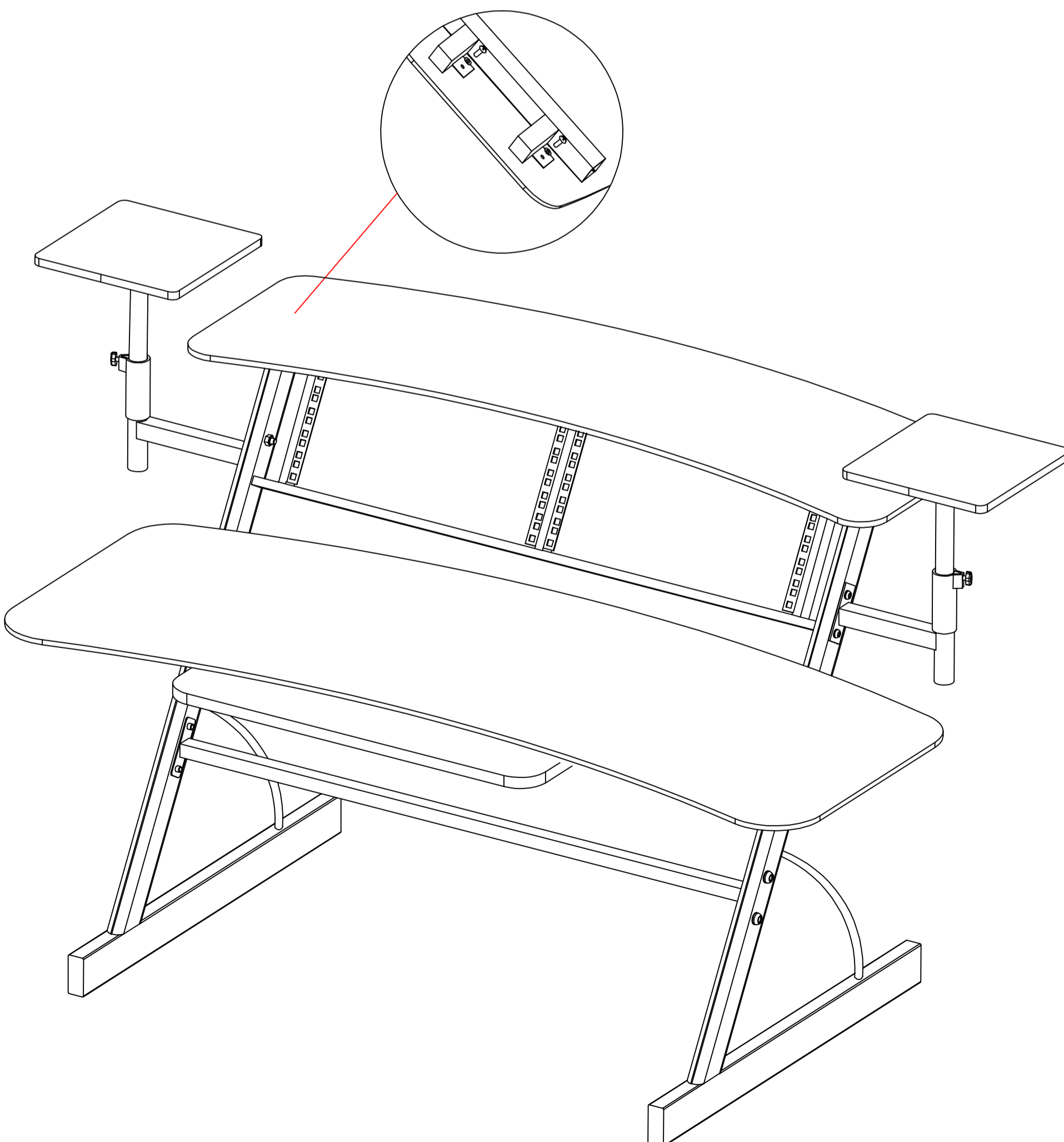
Step 9 of 10

Install the mail shelf and use wooden screws to fix it. (YOU NEED CHOOSE THE BETTER FACE OF THE SHELF TO BE UPPER FACE)



Step 10 of 10

Put the top shelf on (YOU NEED CHOOSE THE BETTER FACE TO BE UPPER FACE).



Now it is ready and before you use this workstation, please check all the screws and bolts to make sure they are strong enough.