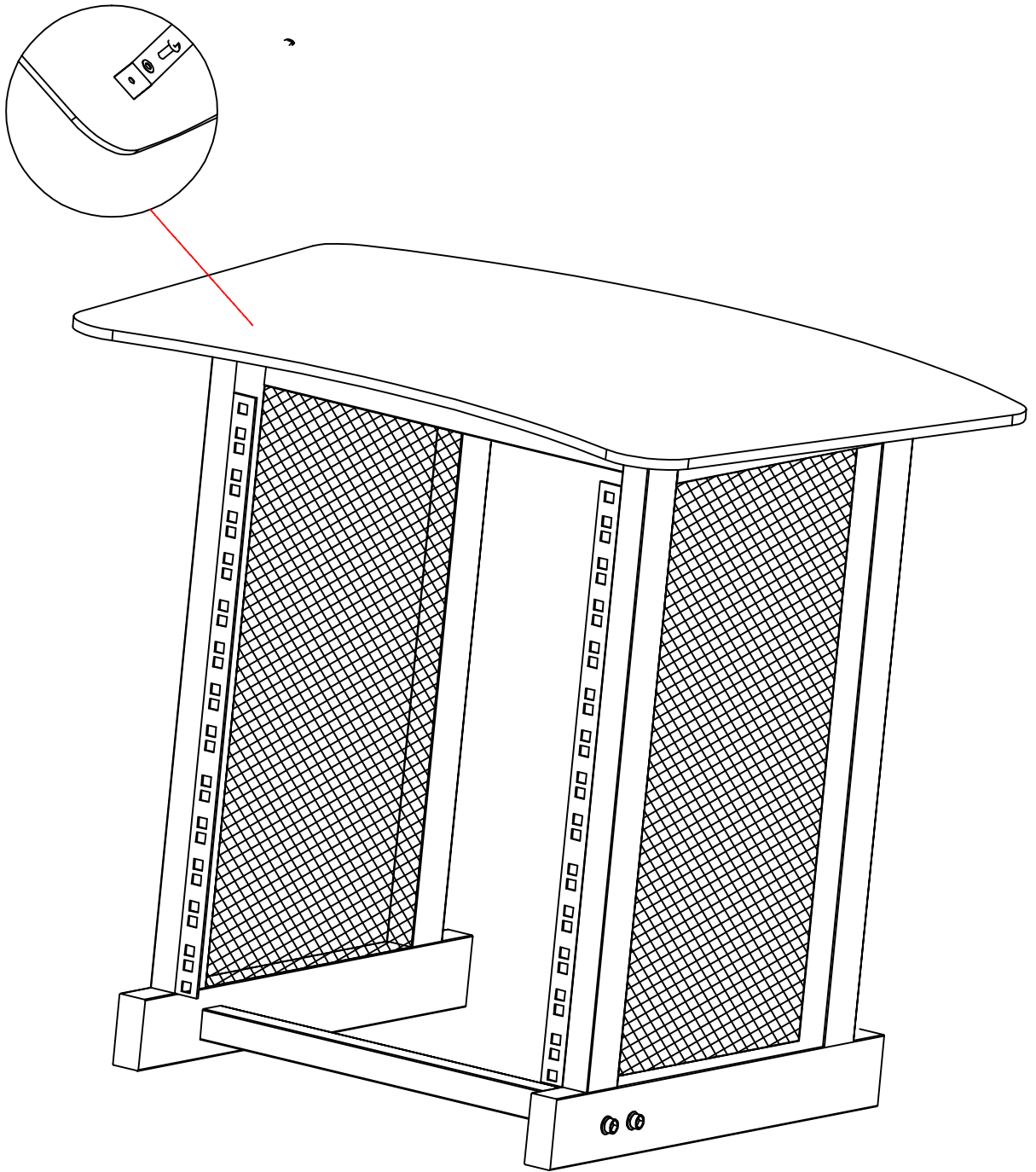


1. Assemble side panels and cross bar supports as shown and tighten bolts firmly. Stick the EVA pads under the bottom of the legs if necessary.



**2. Mount table top with provided wood screws.**