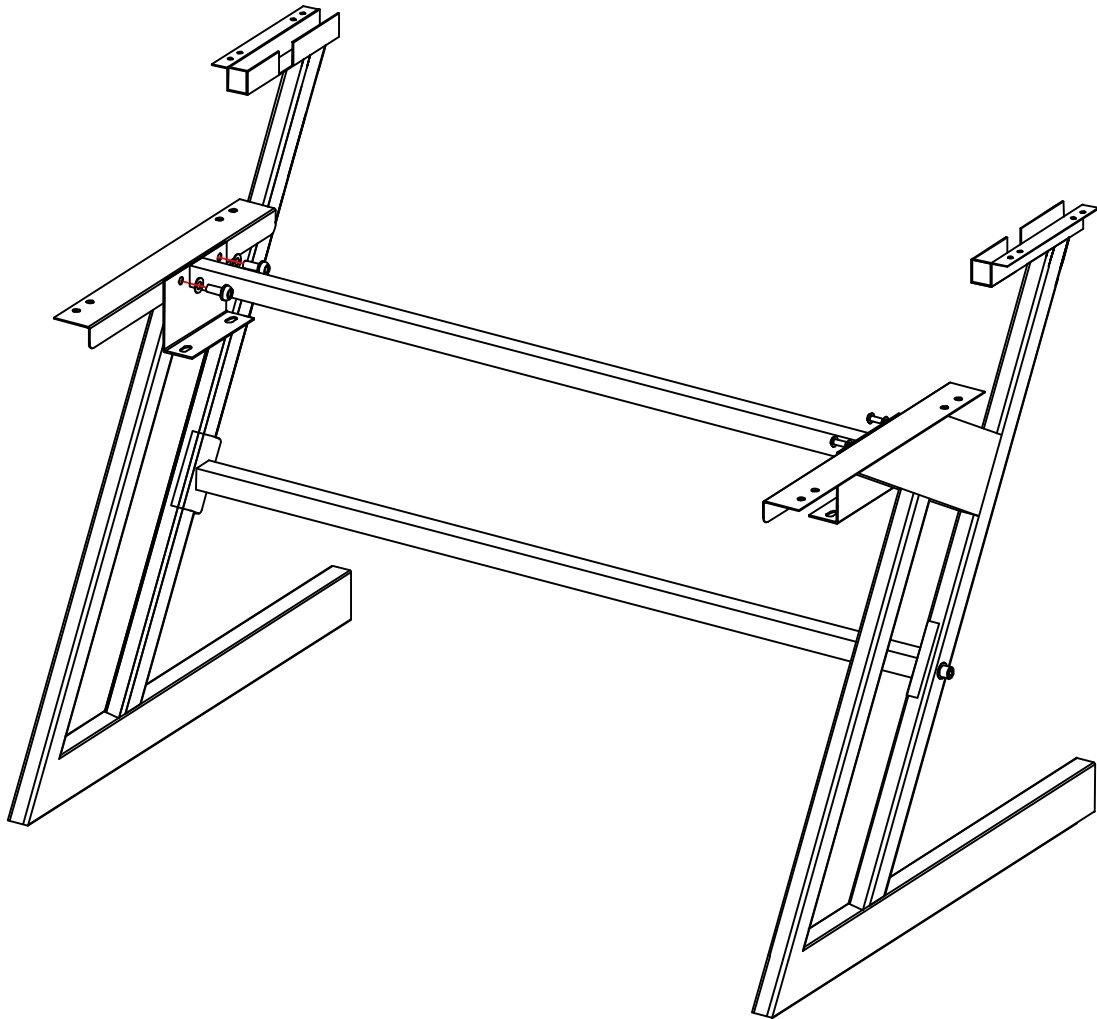
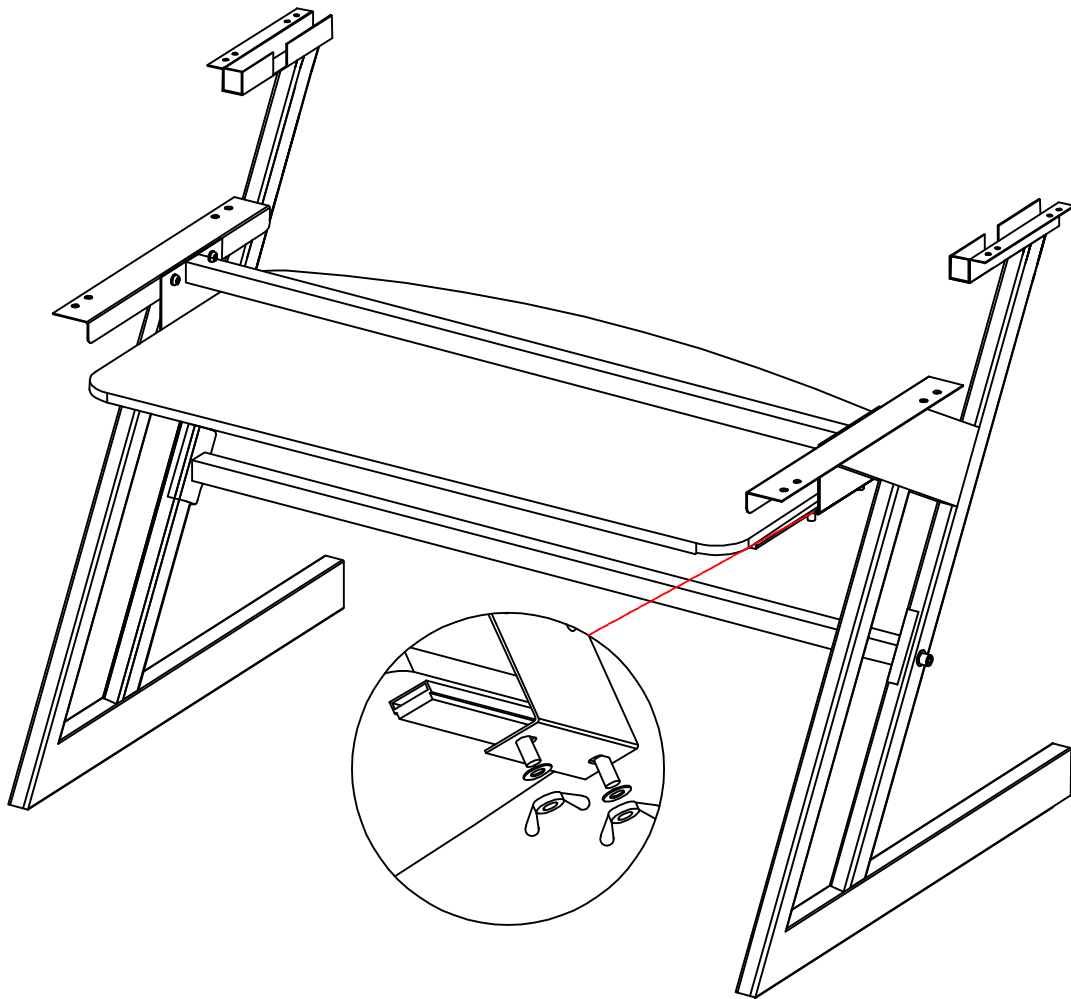


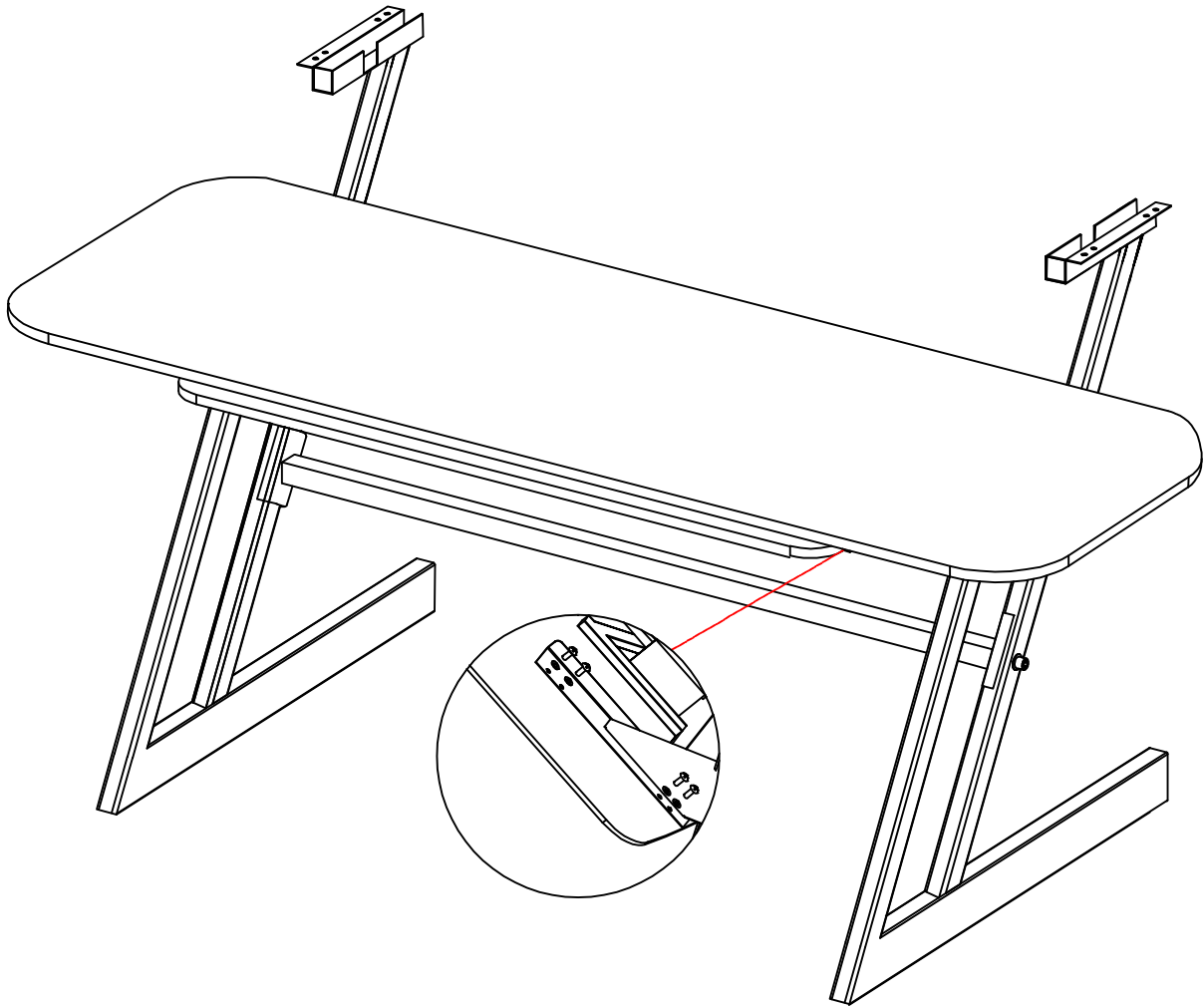
1. Using the allenkey bolts to connect the two main legs with the cross-support bar as the picture showed.



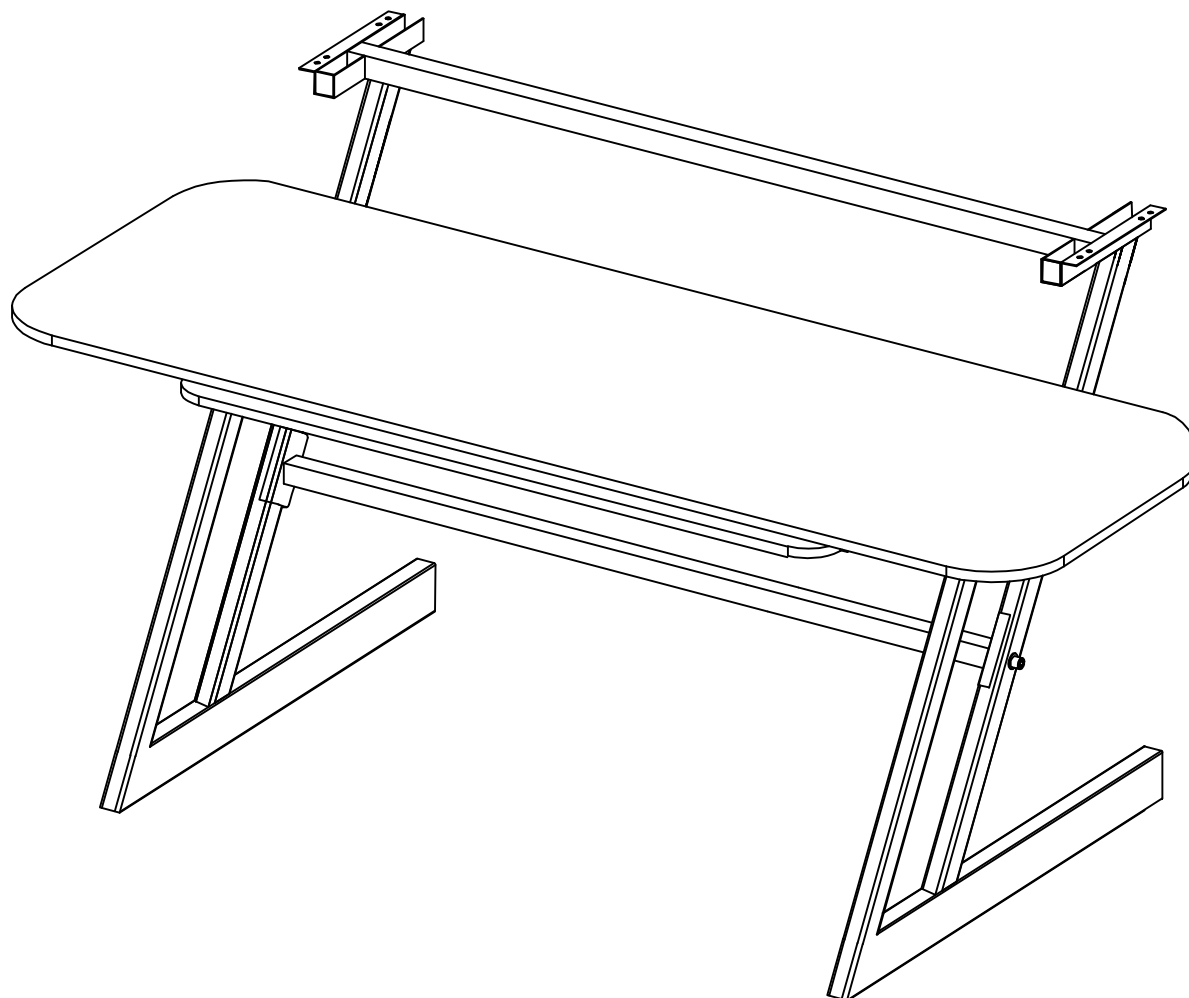
2. Connecting the main shelf cross bracket, and put the keyboard shelf in, then tighten the screws.



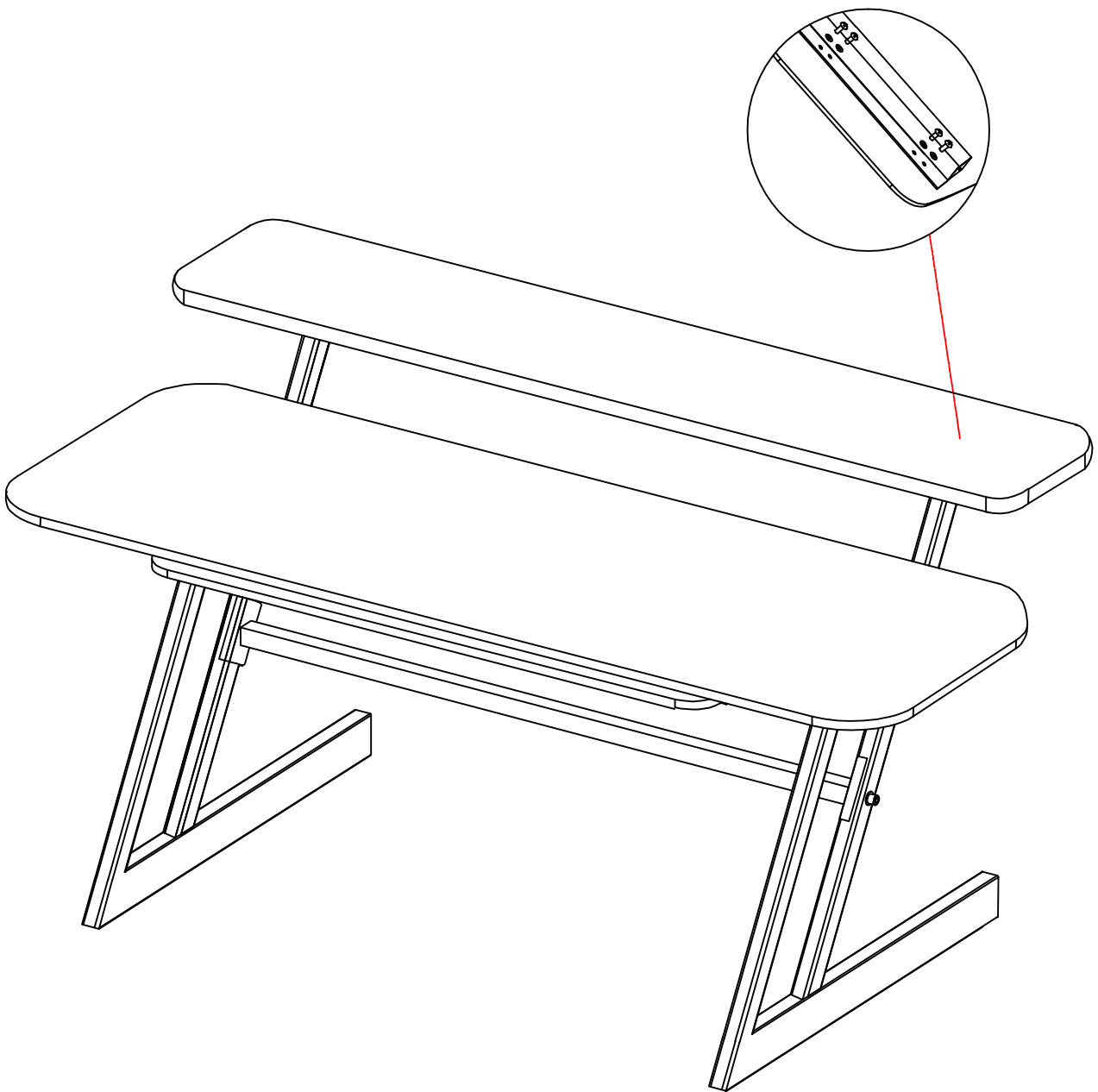
3. Place keyboard shelf in support barckets and bolt in place, tigten nuts till desired shelf pull-out tension is achieved.



4.Center the main shelf on support brackets and at desired depth, then mount it with provided wood screws.



5. Put the upper shelf cross-bar on the top of two main legs.



6. Put the upper shelf on and mount it with wood screws.